



## OVERVIEW

The FA-249 Marine Lantern is a rugged, compact and lightweight signal lantern particularly suited for buoys, fixed platforms, barges, and aviation obstruction lights.

Constructed to withstand the mechanical stresses of service on buoys, the FA-249 Marine Lantern includes a number of features designed to endure harsh marine elements while maintaining structural integrity and reducing the need for maintenance.

## CERTIFICATES

- FM Approved
- NI/I/2/CD/T2D
- ATEX Conformity Certificate (ZONE 2)
- Certificate Number: Epsilon 05ATEX1407
- Directive: ATEX Directive, 94/9/EC
- Coding: II 3 G EEx nL IIB T3

## KEY FEATURES

- A 3-piece lens mounting system engineered to eliminate lantern failures from cracked or broken components at the lantern hinge point
- Candlepower output of the acrylic lens exceeds that of larger conventional pressed glass lenses because acrylic has a higher color transmission factor and better optical characteristics
- Fittings in base for electrical connection
- 2 options for a tool-less entry system:
  1. stainless steel thumb screws
  2. stainless steel latches (The SS latch can be secured with a padlock to deter vandals)
- Silicone rubber gasket for air-tight seal
- Candelabra, pre-focused, marine signal lamps mounted on a rotating mechanism (Flashchanger) that automatically brings the next lamp into precise focal position when the operating lamp fails. 6-place units are able to rotate S-8 envelope lamps inside the 155 mm lens; 4-place units are able to rotate both the S-8 envelope and the larger S-II envelope lamps

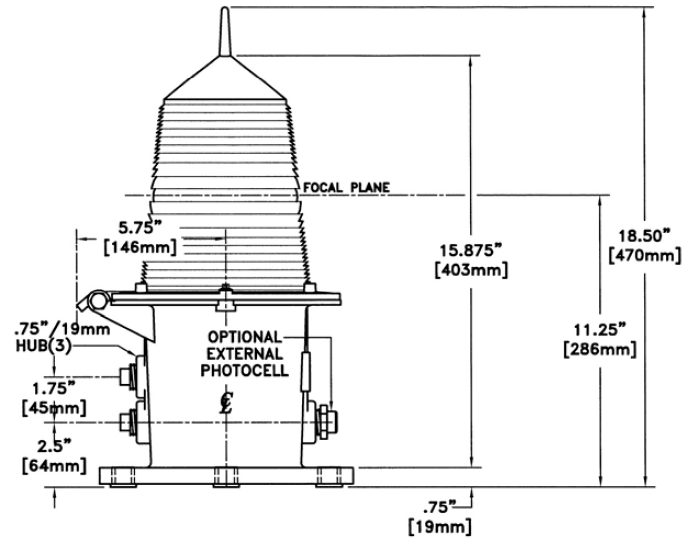
## ENHANCEMENTS

### PMAPI has a variety of optional products to enhance the capabilities of the FA-249 Lantern:

- External photocell, which limits lantern operation to hours of darkness only
- Catoptic insert designed to catch light lost in top of lantern and redirect it to horizontal plane, increasing horizontal candlepower by 5%
- TR-3 Power Supply with 120/240 VAC Input and 3 amp 12 Volt flashed output
- Uniflash®-series wireless synchronization system
- UHF/VHF radio for monitoring status of buoy lighting system or radio receiver for self-test actuation
- Battery Charger and Small standby battery
- Step-down transformer for AC/DC lampchanger in fixed burning applications

## PHYSICAL SPECIFICATIONS

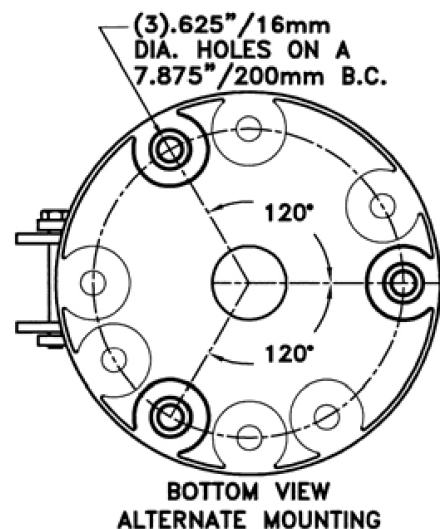
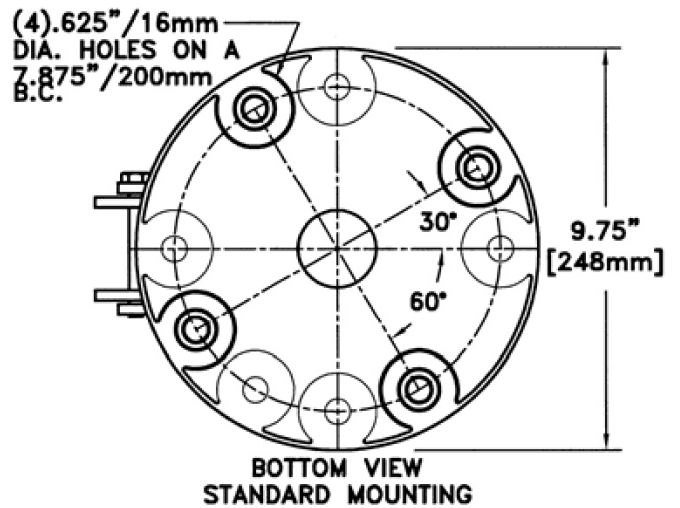
Height	470 mm (18.5")
Weight	2.95 kg (6.5 lbs.)
Input Voltage	6, 12, and 24 VDC; 120/240 VAC
Power Consumption	xxxxx
Available Colours	Clear, Red, Green, Amber
Quiescent Current	xxxxx
Lens Type	155 mm 360° Acrylic Fresnel Lens
Vertical Divergence	4.0° - 4.5° to 50%
Monitor and Control	Optional
Synchronization	Uniflash® Wireless, Cabling (Optional)
Lantern Housing	Molded Lexan® Lens Ring and Base
Mounting	(4) 16 mm (5/8") Holes on a 200 mm (7 7/8") Bolt Circle, 90° Apart (3-Hole Mounting Pattern Also Available)
Operating Temperature	Component Dependent
Ingress Rating	IP-56



## PHOTOMETRIC DATA (CANDELA)

Lamp C-8 Filament	FA-249	FA-249 with Catopic Insert
6V, 0.25 A	30	31.5
6V, 0.46 A	85	89
6V, 0.70 A	110	115
6V, 0.90 A	125	131
12V, 0.25A	64	67
12V, 0.55A	120	126
12V, 0.77A	180	189
12V, 1.15A	260	273
12V, 2.03A	402	422
12V, 3.05A	823	864
12V, 9.0A**	3770	3958
<b>CC-8 Filament</b>		
12V, 0.5A	192	201
12V, 1.0A	512	537
12V, 2.0A	1050	1102
12V, 3.0A	1380	1450
<b>Halogen Lamps</b>		
12V, 20W	939	990
12V, 35W	1410	1475
12V, 50W	1470	1540
12V, 75W	1890	1980

**Note:** For red lens multiply above by 0.30; for green lens multiply above by 0.32; for amber lens multiply above by 0.68. The maximum power dissipation of the lantern is 55 watts with a vertical divergence of 4.0°-4.5° to 50%.



*\*All values are subject to change without notice.*

**Pharos Marine Automatic Power, Inc.**  
Houston, TX - USA  
sales@automaticpower.com  
Phone: +1-713-228-5208

**Pharos Marine Automatic Power**  
Gray, LA - USA  
rleblanc@automaticpower.com  
Phone: +1-985-223-8700

**Pharos Marine Automatic Power, Ltd.**  
London, UK  
sales@pharosmarine.com  
Phone: +44-20-8538-

**AB Pharos Marine Pte.**  
Singapore  
sales@pharos-api.com  
Phone: +65-6747-9325