



FA-250EX 962

LED Flameproof Marine Lantern
10 - 15NM at 0.74T



OVERVIEW

The FA-250EX 962 LED Flameproof Marine Lantern is a Zone 1 rated, long range marine signaling lantern featuring the latest in LED technology. Compliant with IALA/North Sea requirements, it consists of an array of high flux LEDs mounted inside a certified flameproof transparent enclosure.

CERTIFICATES

- EC-Type Examination Certificate
- Certificate No.: Intertek ITS10ATEX17118X
- Coding: II 2 G Ex d IIB T4/5/6
- Certificate No.: IECEx ITS 10.0040X
- Coding: Ex d IIB T4/5/6 Tamb -20°C/-40°C to +40°C/+55°C Gb (Dependent on Model)
- Certificate No.: NCC 17.0083 X (INMETRO – Brazilian Market)
- Coding: Ex d IIB T6...T4 Gb
- Epsilon IP Certificate Number: 04TEST1386

KEY FEATURES

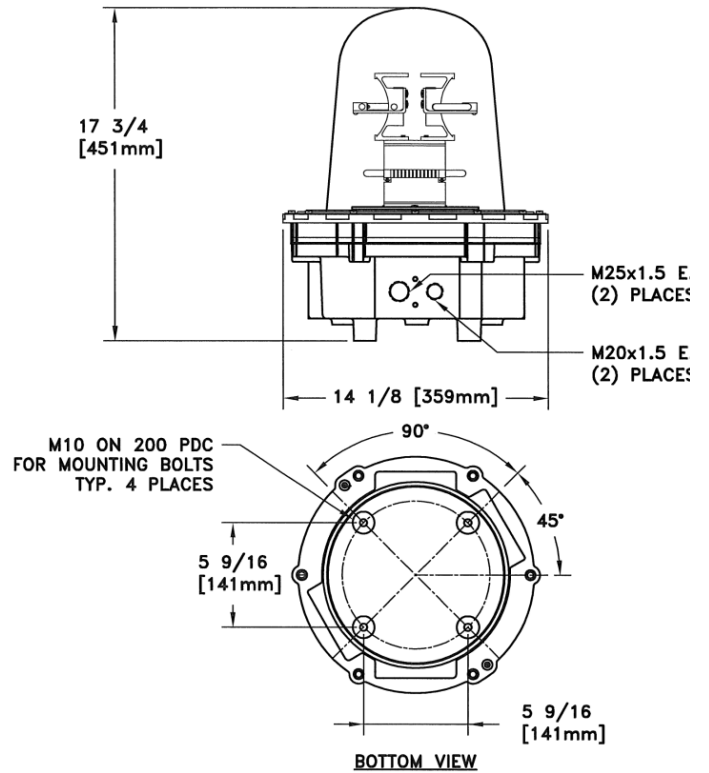
- Designed to be placed in remote locations, the lantern incorporates very long lived LEDs to minimize schedule maintenance
- Features high flux LED arrays mounted on a stainless steel, parabolic reflector; highly efficient reflector uses a state of the art dichroic hybrid spectral metal coating
- LEDs are mounted on metal core PCBs with patented integrated heat pipes to cool the LED arrays without a cooling fan
- LED array has the highest design life in the marketplace (greater than 60,000 hours)
- Materials of the FA250EX962 housing are selected to match the life of the LED contained inside
- No plastic is used in the unit
- Tempered glass cover, able to withstand high impact; base is impregnated, anodized and painted cast aluminum
- AM-11 electronic controls, which provide current limiting to the LED, flash control, monitoring output, photocell input and a synchronization terminal
- No moving parts

VARIATION OF LANTERN

- FA250EX962-15 mile: 170 Watts LED Array providing Flashing 15-mile Morse U White Light. Average power 28W (typical).
- FA250EX962-10 mile: 20 Watts LED Array providing Flashing 10-mile Morse U White Light. Average Power 3.5W (typical).
- FA250EX962-3 mile: 5 Watts LED Array providing Flashing Morse U 3-mile Red Light. Average Power 1.0W (typical).
- FA250EX962-L864: 45 Watts LED Array that complies with ICAO Type B or Type C, Flashing or Fixed Medium Intensity Aviation Obstruction Light.

MECHANICAL SPECIFICATIONS

Height	451mm
Diameter	359mm
Weight	15kg
Input Voltage	24 VDC; 120-240 VAC 50-60 Hz Available
Power Consumption	Variable Up to 220 watts
Available Colours	White, Red, Green, Amber, Blue
Quiescent Current	≤ 40mA (Typical)
Lens Type	Tempered Toughened Glass
Visibility	360° Omnidirectional
Vertical Divergence	5° to 50%**
Monitor and Control	Optional
Synchronization	GPS or Hard Wire (Optional)
Lantern Housing	Marine Epoxy Coated Cast LM-6 Aluminum Base
Operating Temperature	-20°C to +55°C (-40°C Optional)
Ingress Rating	IP-67



**All values are subject to change without notice.*

Pharos Marine Automatic Power, Inc.
Houston, TX - USA
sales@automaticpower.com
Phone: +1-713-228-5208

Pharos Marine Automatic Power
Gray, LA - USA
rleblanc@automaticpower.com
Phone: +1-985-223-8700

Pharos Marine Automatic Power, Ltd.
London, UK
sales@pharosmarine.com
Phone: +44-20-8538-

AB Pharos Marine Pte.
Singapore
sales@pharos-api.com
Phone: +65-6747-9325