



OVERVIEW

The new Pharos Marine Automatic Power FA-165EX Helideck Status Light is a Zone 1 rated, omnidirectional LED light source designed for harsh marine environments.

Ideal for:

- Offshore drilling rigs
- Offshore production platforms
- FPSO Applications

CERTIFICATES

- EC-Type Examination Certification
Certificate No.: ITS10ATEX17055X
Coding: II 2 G Ex d IIB T5 Tamb -20° C to +55° C Gb
Optional: Tamb -40°C to + 55°C Gb
- Certificate No.: IECEx ITS 10.0041X
Coding: Ex d IIB T5 Tamb -40°C/-20°C to +55°C Gb (Dependent on Model)
- Certificate No.: NCC 17.0084 X
(INMETRO – Brazilian Market)
Coding: Ex d IIB T5 Gb Tamb -20°C to +55°C
Optional: Tamb -40°C to +55°C

KEY FEATURES

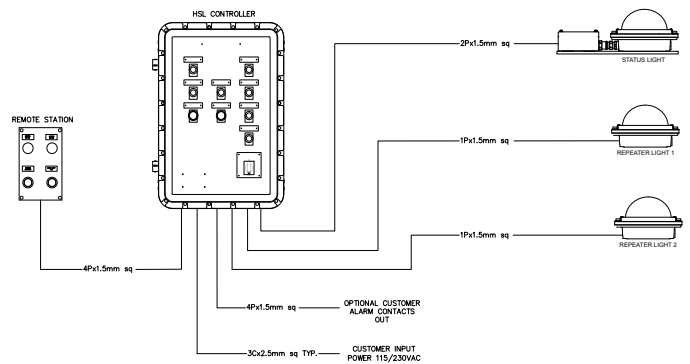
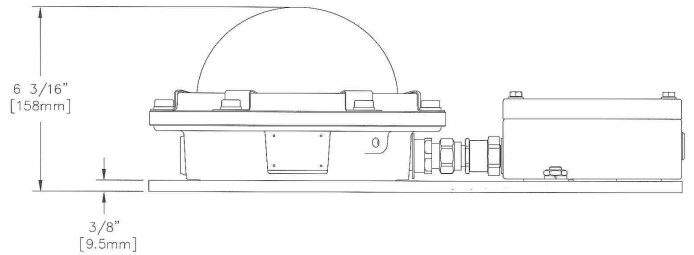
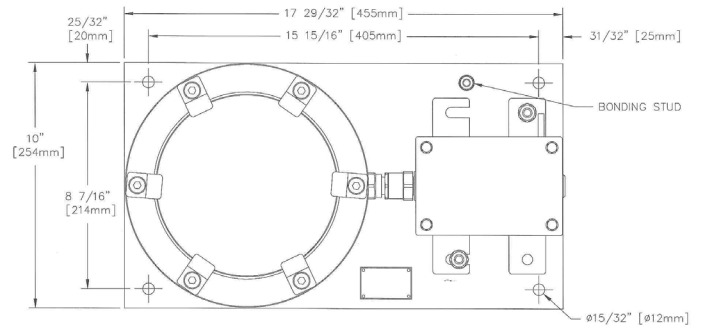
- CAP 437 Compliant
- Transparent enclosure is comprised of a cast base of marine grade aluminum, an upper section with a tempered glass globe cemented into a support ring
- LEDs are mounted on metal core PCBs and heatsinks to cool the LED arrays without a cooling fan
- This highly efficient, passive, cooling system gives the LED array the highest design life in the marketplace (60,000 hours)
- Closed-Coupled 316L Ex'e' terminal box for ease of field wiring
- The external control panel comes in both Safe and Hazardous Area Enclosures with voltage regulation, monitoring and LED drive circuits for multiple Helideck
- Status Lights or Repeater Lights depending on customer requirement
- Typical Controls include activate/deactivate operation control switch and timed dimming from F&G Panel, Crane Switch and others as needed

PHYSICAL SPECIFICATIONS

Civil Aviation Standards	CAP437
Effective Flashed Intensity (EFI)	750cd Red Peak;176 All Around per CAP 437
Horizontal Coverage	360°
Vertical Beam	Per CAP 437
Optics	Precision Refractive Optics
Light Source	High Flux Light Emitting Diodes (LEDs)
Power	36 Watts Average
Number of Flashers per Minute	120
Flash Head Materials	Tempered, Toughened Glass
Flash Head Base Materials	Marine Grade Cast Aluminum
Weight	13.6 Kg (30 lbs.)
Operating Temperature	-20°C to +55°C (-40°C Optional)
Ingress Rating	IP 66

EXTERNAL CONTROLLER SPECIFICATIONS

Alarms	As Required
Input Power	24 VDC or 120/240 VAC 50/60 Hz



**All values are subject to change without notice.*

Pharos Marine Automatic Power, Inc.
Houston, TX - USA
sales@automaticpower.com
Phone: +1-713-228-5208

Pharos Marine Automatic Power
Gray, LA - USA
rleblanc@automaticpower.com
Phone: +1-985-223-8700

Pharos Marine Automatic Power, Ltd.
London, UK
sales@pharosmarine.com
Phone: +44-20-8538-

AB Pharos Marine Pte.
Singapore
sales@pharos-api.com
Phone: +65-6747-9325