



BROCHURE



OVERVIEW

The FA-143 has proven to have a service life of approximately 20 years in the most severe environmental conditions where synthetic materials fail. The FA-143 LED bridge light is a rugged signal lantern with technically advanced LEDs that provide an extremely durable and reliable bridge navigation light with a very long service life.

Since the LEDs have a life of 60,000 hours, array replacement should be scheduled every 10 YEARS for lanterns that are photocell-controlled and every 5 years for lanterns operating 24 hours a day.

KEY FEATURES

- High output, low power LEDs arranged in a redundant, symmetric array around the lens focal point
- No routine maintenance is required and power consumption is less than 7 watts
- Stainless steel hardware and lens-protection rods (angled to minimize shadows in the optical plane)
- A stud base which matches a 2" pipe coupling flange (Usually these are mounted on galvanized steel swivel suspensions (our FA-230) from the bridge deck or on pedestals on the bridge fenders)
- Control electronics and a 120 VAC power supply located inside the lantern below the array
- Lantern hinge at the middle to facilitate access to the LED array, control electronics and power supply
- Lightning and surge-suppression circuitry that automatically resets after an incident
- Light intensity exceeding 45 candelas in both red and green (This exceeds U.S. Coast Guard requirements in virtually all locations)
- Optional internal shock and external vibration isolators for railroad and other high vibration bridges
- Optional 12-volt DC power supply (for solar or battery operation) and individual photocell controlled sun switches
- Optional clear Lexan exterior shield and padlock to help reduce vandalism

PHYSICAL SPECIFICATIONS

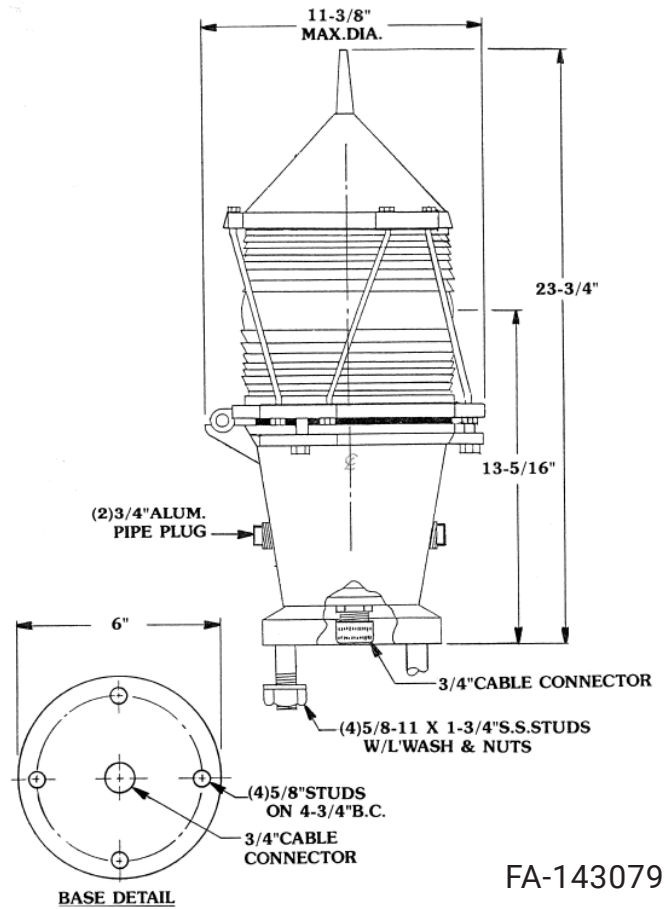
Height	597 mm (23.5")
Weight	14 kg (30 lbs.)
Input Voltage	6, 12, 24 VDC or 120, 240 VAC
Power Consumption	4.4 watts (Red), 4.2 watts (Green)
Available Colours	Red and Green
Quiescent Current	< 10mA
Lens Type	Tempered-glass 200 mm Fresnel lens
Visibility	85 cd (Red), 79 cd (Green)
Vertical Divergence	25° to 10% Intensity
Monitor and Control	Optional
Synchronization	Optional
Lantern Housing	Cast Aluminum Finished with Clear Alodine and Polyurethane Coating
Mounting	Dependent Upon Model (FA-143078 or FA-143079)
Operating Temperature	-40°C to 55°C, Dependent Upon Configuration
Ingress Rating	IP-X6

LED PHOTOMETRIC DATA (CANDELA)

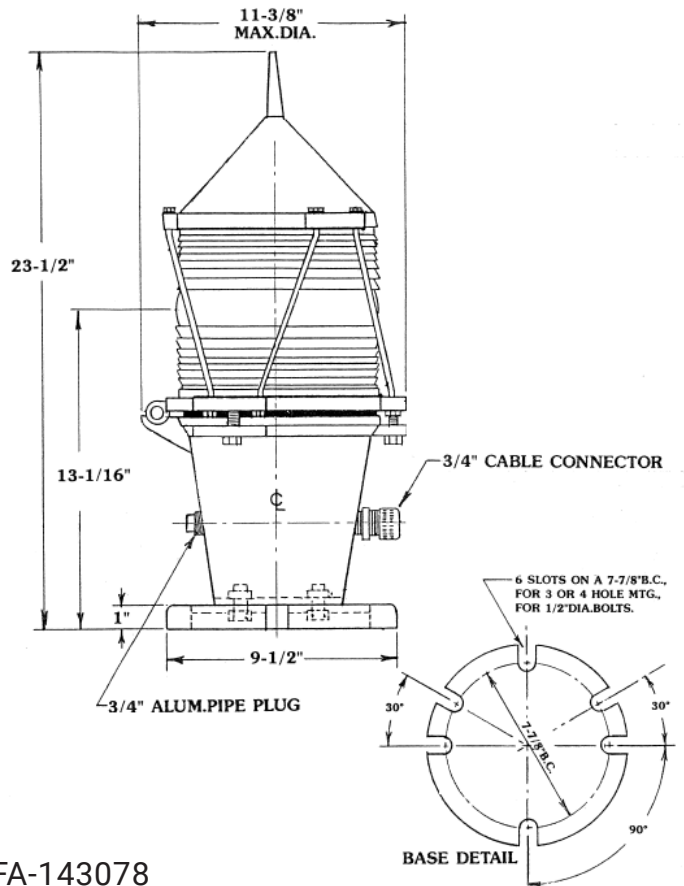
LED Power	Red Candella	LED Power	Green Candella
4.4 Watts	85	4.2 Watts	79

Doubled output with Duplex Lights.

Vertical divergence of 25 degrees, to 10% intensity.



FA-143079



FA-143078



*All values are subject to change without notice.

Pharos Marine Automatic Power, Inc.
Houston, TX - USA
sales@automaticpower.com
Phone: +1-713-228-5208

Pharos Marine Automatic Power
Gray, LA - USA
rleblanc@automaticpower.com
Phone: +1-985-223-8700

Pharos Marine Automatic Power, Ltd.
London, UK
sales@pharosmarine.com
Phone: +44-20-8538-

AB Pharos Marine Pte.
Singapore
sales@pharos-api.com
Phone: +65-6747-9325