



OVERVIEW

The APRB-288 Rotating Beacon is designed to provide a long range signaling capability with limited power sources in remote locations where no more than an annual maintenance visit is planned.

The optical unit comprises an octagonal arrangement using up to eight Fresnel lenses rotated around a wide choice of stationary light sources. Replacement of selected panels with blanking plates provides for a wide variety of flash codes including complex group flashes and alternating colors commonly used on airway beacons.

KEY FEATURES

- Ranges in excess of 23 nautical miles
- Operates from 12 Volt or 24 Volt DC supply
- Ideal for use with solar power
- Microprocessor controlled four phase stepper motor drive. 1.5 watts maximum power consumption
- 32 pre-programmed, hex-switch selectable speeds from 0.5 to 10 rpm. Easily accessed and changed in the field
- Lamp change and focusing access hatch in top of beacon. No need to remove lens cover
- Low maintenance costs with highly reliable, proven drive system. 250 drive units in service worldwide
- Lightweight, compact, easy to handle and install
- Built-in day light control
- Seamless, molded, 500mm polycarbonate lens cover protects the optical elements from environmental contamination
- Monitor ready when fitted with the APCL-5/10 FLASH CHANGER® which includes an RS-232 interface to provide a seamless interface with a radio modem monitoring system
- Simple interconnection/control of standby optic with APCL-5 FLASH CHANGER®

OPTIONS

- Wide range of lamp options - lamp changer / twin filament, 12 Volt and 120/220 metal halide lamp with option of two place lamp changer
- 20/220VAC input available; A 1 watt cooling fan is mounted in the base of the optic for loads exceeding 120 watts
- Extended Range Model with 24VDC input and total lamp life reduced to one year is available
- Two lens positions (narrow and wide) give the capability to adjust the vertical divergence and flash length to customer requirements
- Magnetic reed switch in the base of the beacon to provide rotation monitoring

PHYSICAL SPECIFICATIONS

Dimensions	470mm (H) x 536mm (Diameter)
Weight	20kg
Voltage Supply	12/24-volt DC version or 220 / 240 VAC input
Power Consumption	Lamps-200 watt max, Drive Motor-1.5 watt max, Monitoring Interface-1 watt
Power Source	Solar Power, Battery, AC/DC Power Supply Unit
Lamp Voltage Regulation	Extended pulse width modulated including regulating 24 Volts input down to 12 Volt lamp or 12 Volt input down to 6.3 volt lamp. 3% loss maximum
Day/Night Control	External photocell. Rotation independent of photocell
Beam Configurations	8 lens panels in octagonal form, 205 mm focal length
Materials	Painted Cast Aluminum Base, 205 mm focal length molded acrylic lens panels, and molded acrylic lens cover
Monitoring Output	RS-232 (4800,N,8,1) Data Stream Format
Functions Monitored	Rotation Speed, System Voltage, Number of Good Lamps in Lamp changer, Photocell Status, System Status
Secondary Optic Control	Auto activation of secondary optic if primary optic "system status normal" signal is not received by secondary optic.

12 VOLT APRB-288

Halogen Lamp C-8 Filament	Peak Intensity	EFI (FL-10)
12V, 35V	352,000	83,000
12V, 50W	427,000	115,000
12V, 75W	438,000	128,500
12V, 109V	665,400	236,000

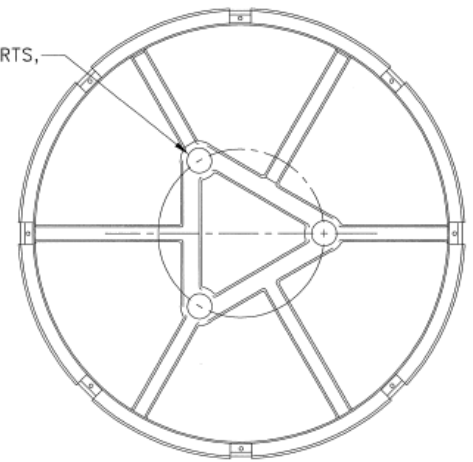
24 VOLT APRB-288ER (EXTENDED RANGE)

Halogen Lamp C-8 Filament	Peak Intensity	EFI (FL-10)
13.1V, 40W	460,000	109,000
13.1V, 57W	559,000	150,000
13.1V, 85W	573,000	167,000
13.1V, 114W	720,000	204,000

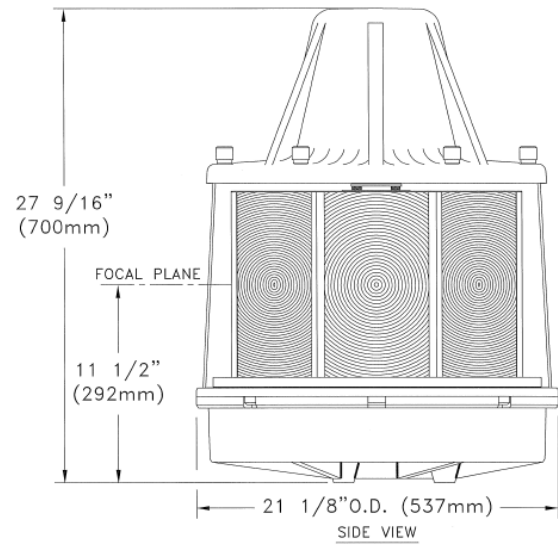
120/220 VAC APRB-288

Halogen Lamp C-8 Filament	Peak Intensity	EFI (FL-10)
150W MH 10K Hr.	626,000	2851,000
150W MH 4K Hr.	912,000	440,000
34W MH 10K Hr.	610,000	260,000

M13 THREADED INSERTS,
120° APART ON A
7 7/8" (200mm)
BOLT CIRCLE



BOTTOM VIEW



SIDE VIEW

**All values are subject to change without notice.*

Pharos Marine Automatic Power, Inc.
Houston, TX - USA
sales@automaticpower.com
Phone: +1-713-228-5208

Pharos Marine Automatic Power
Gray, LA - USA
rieblanc@automaticpower.com
Phone: +1-985-223-8700

Pharos Marine Automatic Power, Ltd.
London, UK
sales@pharosmarine.com
Phone: +44-20-8538

AB Pharos Marine Pte.
Singapore
sales@pharos-api.com
Phone: +65-6747-9325